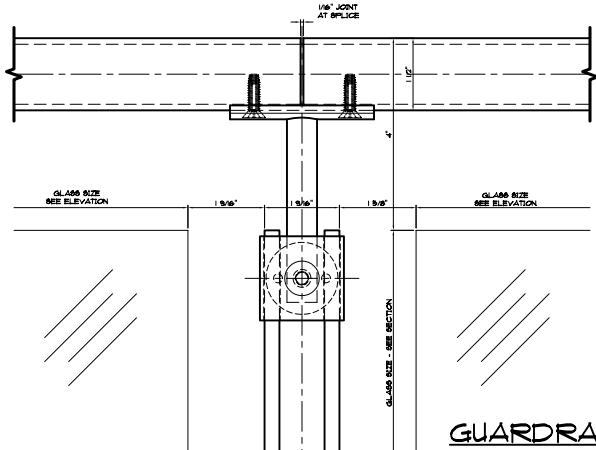


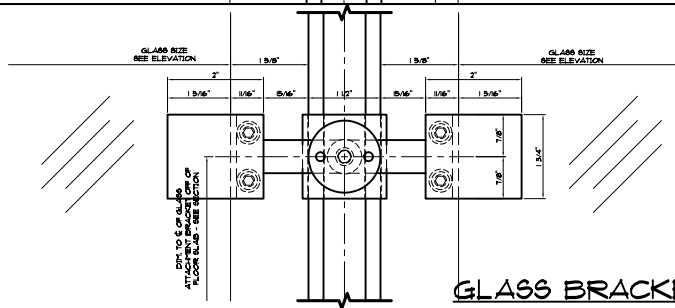
**POINT SUPPORTED GLASS HANDRAIL ELEVATION**

SCALE: 1/8" = 1'-0"



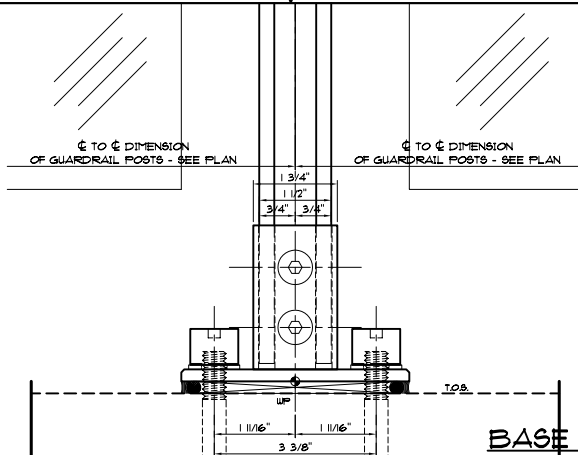
**GUARDRAIL DETAIL**

SCALE: 3" = 1'-0"



**GLASS BRACKET DETAIL**

SCALE: 3" = 1'-0"



**BASE DETAIL**

SCALE: 3" = 1'-0"

VISIT US ON THE WEB AT: [WWW.WALTEKLTD.COM](http://WWW.WALTEKLTD.COM) - OR E-MAIL US AT [SALES@WALTEKLTD.COM](mailto:SALES@WALTEKLTD.COM)

CINCINNATI: (513) 577-7980

NASHVILLE: (615) 251-7040



IF YOU WOULD LIKE TO LEARN MORE ABOUT OUR WALL SYSTEMS OR WISH TO DISCUSS PROJECT SPECIFIC DETAILS PLEASE CONTACT US AT THE ADDRESS & PHONE NUMBER SHOWN.