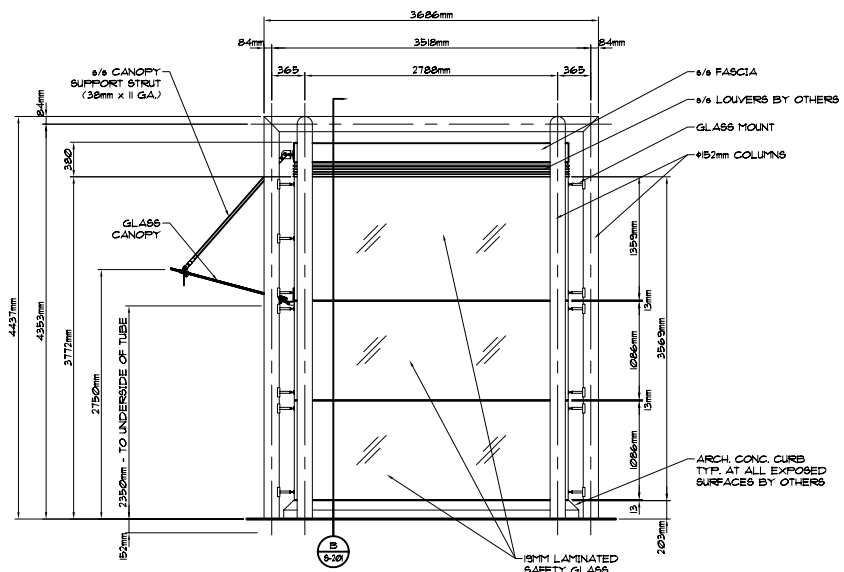
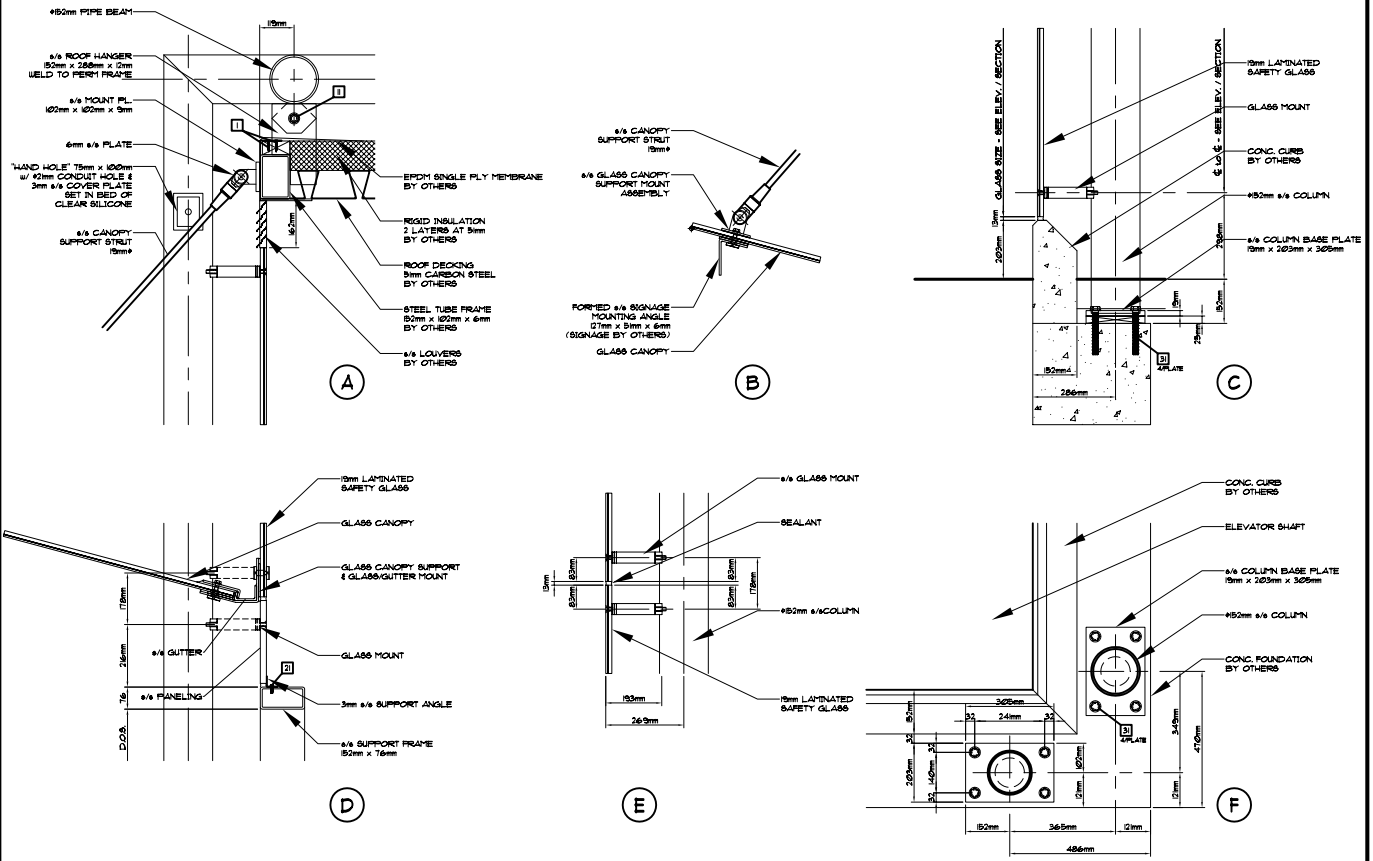


**(A)**  
**ELEVATOR PAVILION**  
**FRONT ELEVATION**



**(B)**  
**ELEVATOR PAVILION**  
**SIDE ELEVATION**

SCALE: 1/8" = 1'-0"



**TYPICAL DETAIL CUTS AT ELEVATOR ENCLOSURE**

SCALE: 1/2" = 1'-0"

VISIT US ON THE WEB AT: [WWW.WALTEKLTD.COM](http://WWW.WALTEKLTD.COM) - OR E-MAIL US AT [SALES@WALTEKLTD.COM](mailto:SALES@WALTEKLTD.COM)

CINCINNATI: (513) 577-7980

NASHVILLE: (615) 251-7040



IF YOU WOULD LIKE TO LEARN MORE ABOUT OUR WALL SYSTEMS OR WISH TO DISCUSS PROJECT SPECIFIC DETAILS PLEASE CONTACT US AT THE ADDRESS & PHONE NUMBER SHOWN.