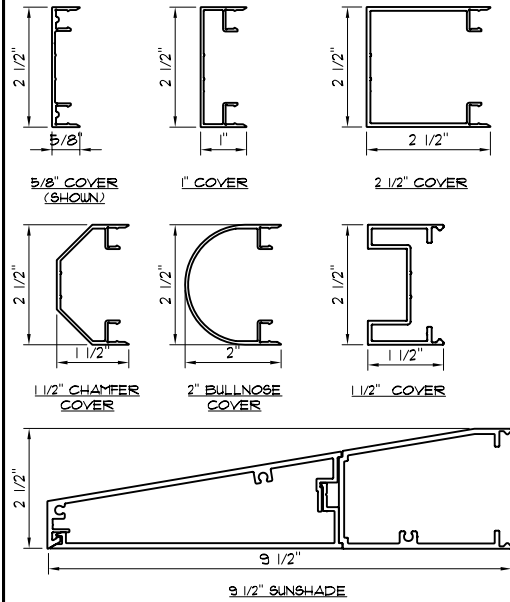


**WALTEK'S CUSTOM SERIES
7000 FRAMING SYSTEM**

NOTES: CUSTOM PROFILE SIZES ARE ALSO AVAILABLE UPON REQUEST.

EXTERIOR COVER OPTIONS



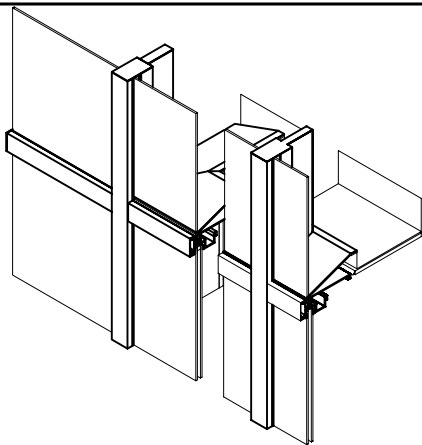
NOTES: CUSTOM EXTRUSION PROFILES ARE ALSO AVAILABLE.

FINISHING OPTIONS

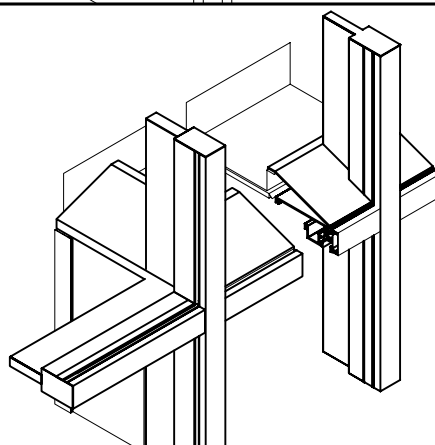
- EXTERIOR:
KYNAR 500/ HYLAR 5000
ANNODIZED
- INTERIOR:
KYNAR 500/ HYLAR 5000
ACRYLIC
ANNODIZED

GLAZING OPTIONS

7000 SERIES FRAMING SYSTEMS ACCOMMODATE GLAZING OPTIONS FROM 1/4" MONOLITHIC TO 1" INSULATED.



ISOMETRIC OF LEFT HAND ROOF CORNER



ISOMETRIC OF UPPER LEFT HAND ROOF CORNER

TYPICAL PERFORMANCE LEVELS

- AIR: 6.24 LBS/SQ. FT. PER ASTM E283
- WATER: 12 LBS/SQ. FT. PER ASTM E331
- CRF: 55 PER AAMA 1503

HIGHER PERFORMING VERSIONS ARE AVAILABLE FOR SPECIFIC PROJECT NEEDS.

VISIT US ON THE WEB AT: WWW.WALTEKLTD.COM - OR E-MAIL US AT SALES@WALTEKLTD.COM

CINCINNATI: (513) 577-7980

NASHVILLE: (615) 251-7040



SYSTEM
WALTEK'S CUSTOM SERIES 7000
FRAMING SYSTEM

THE ABOVE INFORMATION IS FOR A TYPICAL APPLICATION. CUSTOMIZATION OF ALL COMPONENTS AND PERFORMANCE LEVEL IS AVAILABLE TO MEET DESIGN CRITERIA.

IF YOU WOULD LIKE TO LEARN MORE ABOUT OUR WALL SYSTEMS OR WISH TO DISCUSS PROJECT SPECIFIC DETAILS, PLEASE CONTACT US AT THE ADDRESS & PHONE NUMBER SHOWN.